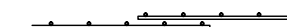


TANK BASE - GENERAL ARRANGEMENT
SCALE 1:20

FABRIC LAPPED 2 CROSS WIRES + 50mm.



LAPPING OF FABRIC - IN BASE + ROOF

MAIN VERTICAL BAR POSITION REVERSED TO EACH ALTERNATE SHEET OF FABRIC. FABRIC LAPPED 2 CROSS WIRES + 50mm. POSITION LAPS AWAY FROM WALL PENETRATIONS WHERE POSSIBLE



LAPPING OF FABRIC - IN WALLS

FOR FABRIC REINFORCEMENT TO TANK BASE, REFER TANK SECTION ON DRAWING S121

TANK NOTES

- TANK STRUCTURE TO BE SEATED ON...
50mm THICK BED OF 5mm CRUSHED ROCK
COMPACTED AND LEVELLED ALL ON APPROVED PREPARED SUB BASE.

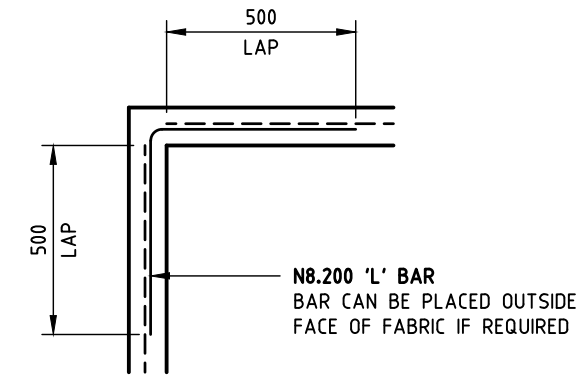
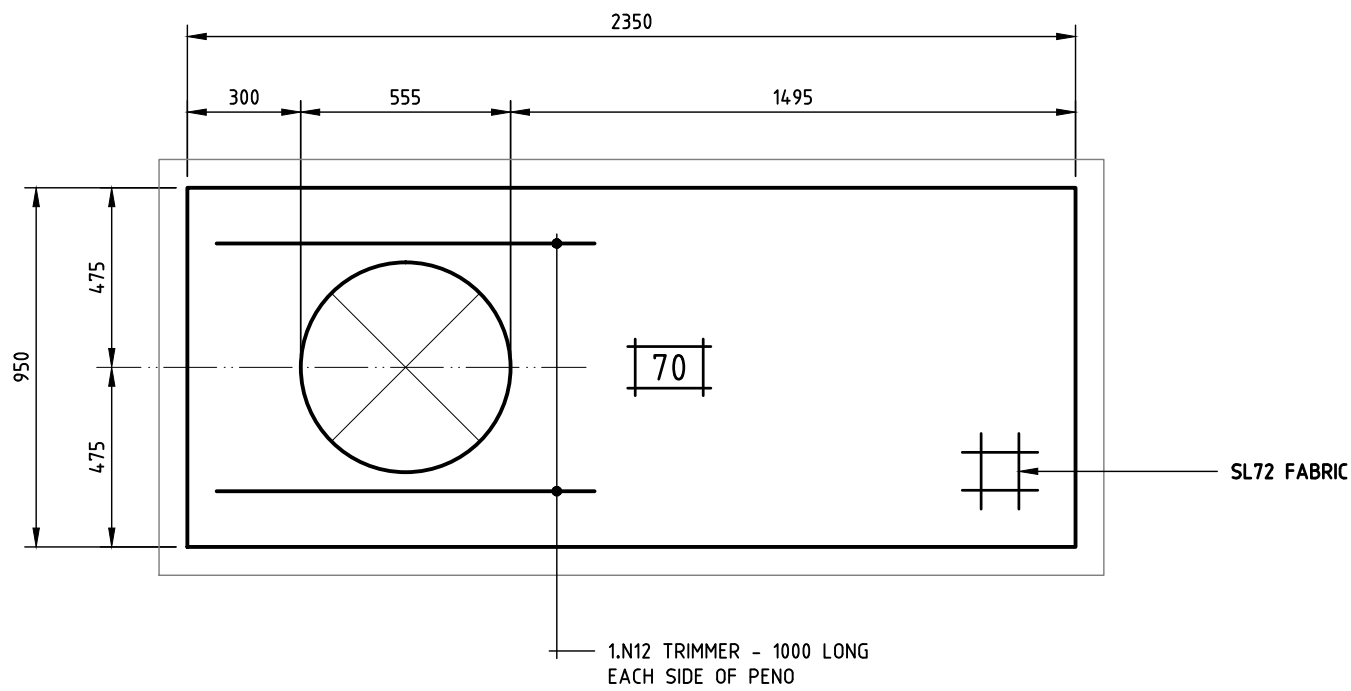
NOTE - SUB BASE PREPARATION
APPROVED PREPARED SUB-BASE TO HAVE MINIMUM BEARING CAPACITY OF 100 kPa.
(TO BE CONFIRMED ON SITE BY A QUALIFIED GEOTECHNICAL ENGINEER).
EXCAVATE ALL LOOSE MATERIAL.
WHERE AREAS DO NOT EXCEED MINIMUM BEARING CAPACITY, REMOVE MATERIAL AND IMPORT AND RECOMPACT CBR5 MATERIAL IN 300mm LAYERS TO ACHIEVE REQUIRED BEARING CAPACITY.
PROOF ROLL PRIOR TO PLACING TANK STRUCTURE.
- BACKFILLING OF EXCAVATION TO BE COMPLETED IN NOT MORE THAN 500mm EQUALLY DISTRIBUTED LAYERS AROUND THE TANK PERIMETER.
- DESIGN LOADS**
TANK HAS BEEN DESIGNED TO SUIT LOCAL EARTH PRESSURE (NON TRAFFICABLE)
MAXIMUM HEIGHT OF FILL ABOVE TANK ROOF AS SHOWN ON S121
- CONCRETE PROPERTIES**
CONCRETE GRADE $f'c$ 50 MPa BASE + WALLS + SHELF
MAXIMUM DRYING SHRINKAGE 700 MICROSTRAIN
MAXIMUM WATER TO CEMENT RATIO 0.46

- CLEAR CONCRETE COVER TO REINFORCEMENT:
TOP = 25mm BOTTOM = 25mm SIDES = 25mm
- REINFORCEMENT LAP LENGTHS AS FOLLOWS...
N10 400 N20 800
N12 450 N24 1000
N16 700
- REINFORCEMENT SYMBOLS 8.N16.200.1
8 NUMBER OF BARS IN GROUP
N16 BAR GRADE/TYPE AND DIAMETER
200 SPACING IN mm
1 DENOTES LAYER BAR PLACED IN

- ALL LIFTING PROCEDURES, MECHANISMS, DEVICES, STABILITY, PROPPING, ADDITIONAL SUPPORT AND REINFORCEMENT REQUIRED FOR LIFT AND DURING CONSTRUCTION IS TO BE PROVIDED AND CERTIFIED BY A TEMPORARY WORKS REGISTERED PROFESSIONAL ENGINEER AND LIFTING MANUFACTURER AND IT'S REGISTERED PROFESSIONAL ENGINEER.
ALL REINFORCEMENT + CONNECTIONS SHOWN ARE FOR TANKS IN PLACE ONLY.
ALL WALLS TO REMAIN FULLY PROPPED UNTIL ALL ELEMENTS HAVE BEEN POURED/PLACED AND FIXED/GROUTED TOGETHER AND FULL STRUCTURE COMPLETED.
(PROPPING DESIGN/CERTIFICATION BY OTHERS)

-  DENOTES MINIMUM SLAB OR WALL THICKNESS

P02	28.04.17	PRELIMINARY - Issued for Information	MTS	TMP
P01	24.04.17	PRELIMINARY - Issued for Information	MTS	TMP
Rev	Date	Description	By	Chk
Client TAYLEX INDUSTRIES PTY LTD				
Project Name WATER TANK (NON-TRAFFICABLE) HEIGHT = 1250 mm MASS = 2800 kg CAPACITY - TOP = 304 L BOTTOM = 1845 L				
Title TANK BASE GENERAL ARRANGEMENT				
Designed T.M.P.	Drawn M.T.S.	Scale at A3 1:20		
Project No. TAYLEX-021	Drawing No. S111	Revision P02		



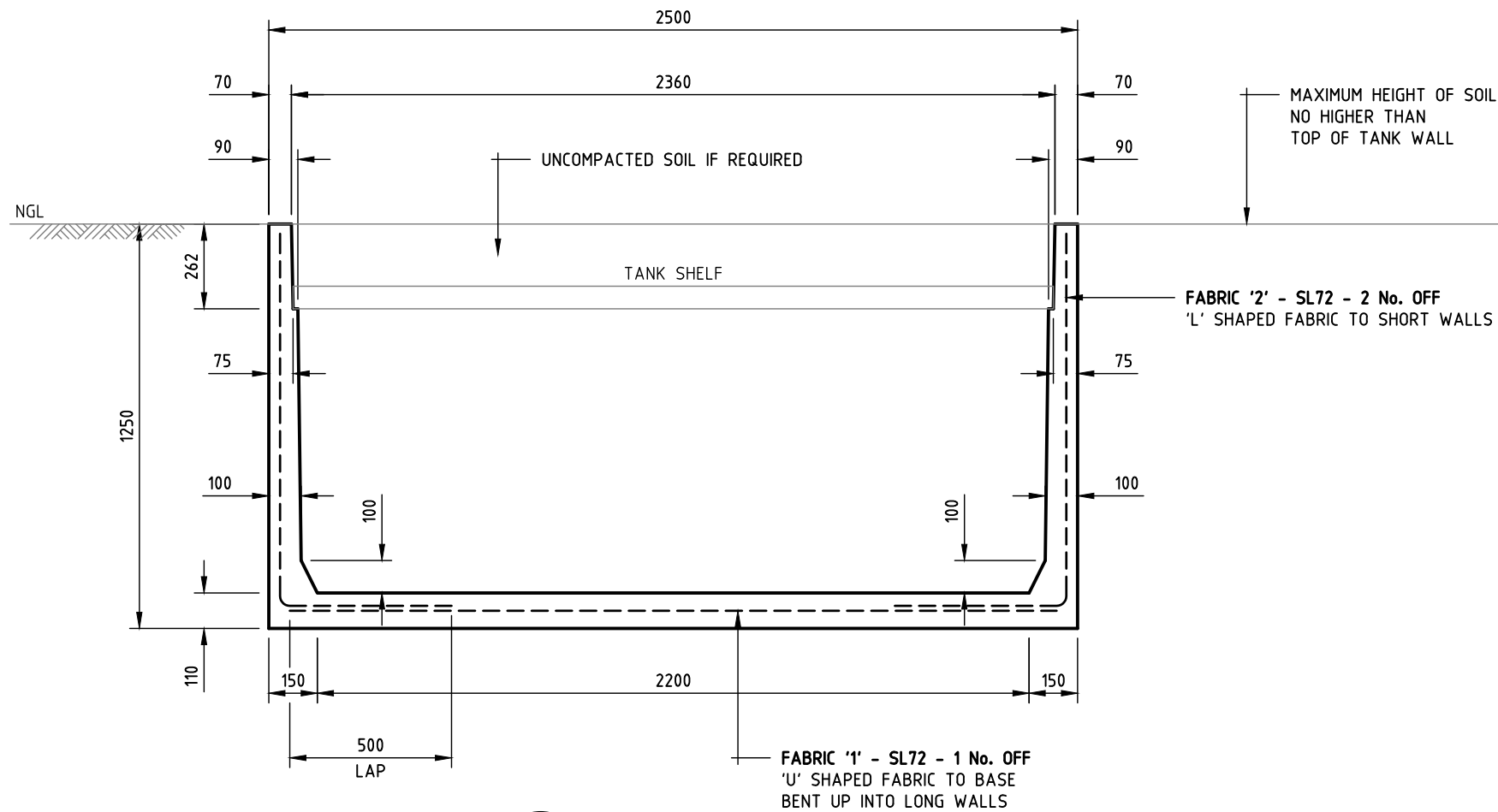
TANK SHELF - GENERAL ARRANGEMENT + REINFORCEMENT

SCALE 1:20

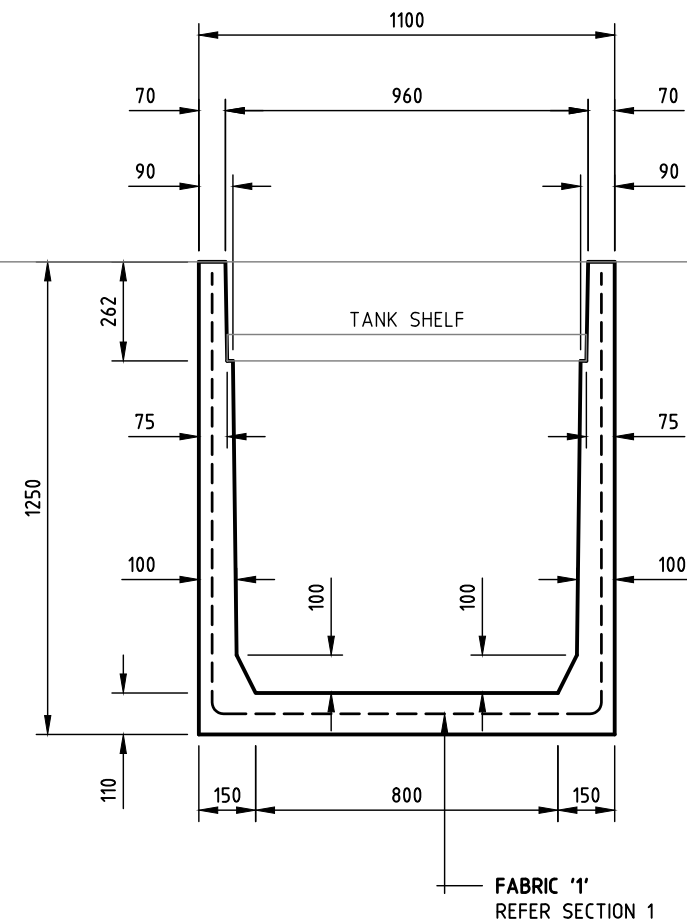
FOR TANK SHELF NOTES REFER TO DRAWING S111

TYPICAL CORNER DETAIL

PLAN



SECTION 1
TYPICAL (S011)



SECTION 2
TYPICAL (S011)

P02	28.04.17	PRELIMINARY - Issued for Information	MTS	TMP
P01	24.04.17	PRELIMINARY - Issued for Information	MTS	TMP
Rev	Date	Description	By	Chk
Client TAYLEX INDUSTRIES PTY LTD				
Project Name WATER TANK (NON-TRAFFICABLE)				
HEIGHT = 1250 mm MASS = 2800 kg				
CAPACITY - TOP = 304 L BOTTOM = 1845 L				
Title TANK WALLS + TANK SHELF SECTIONS + DETAILS				
Designed T.M.P.	Drawn M.T.S.	Scale at A3 1:20		
Project No. TAYLEX-021	Drawing No. S121	Revision P02		